



# CADAM VIEW

## CATIA CADAM DRAFTING

### ★ View CCD and CADAM Drawings

- ✓ Any current or previous CCD version
- ✓ Any mainframe CADAM drawing
- ✓ DXF or DWG
- ✓ Familiar CADAM user interface

### ★ Print or Plot

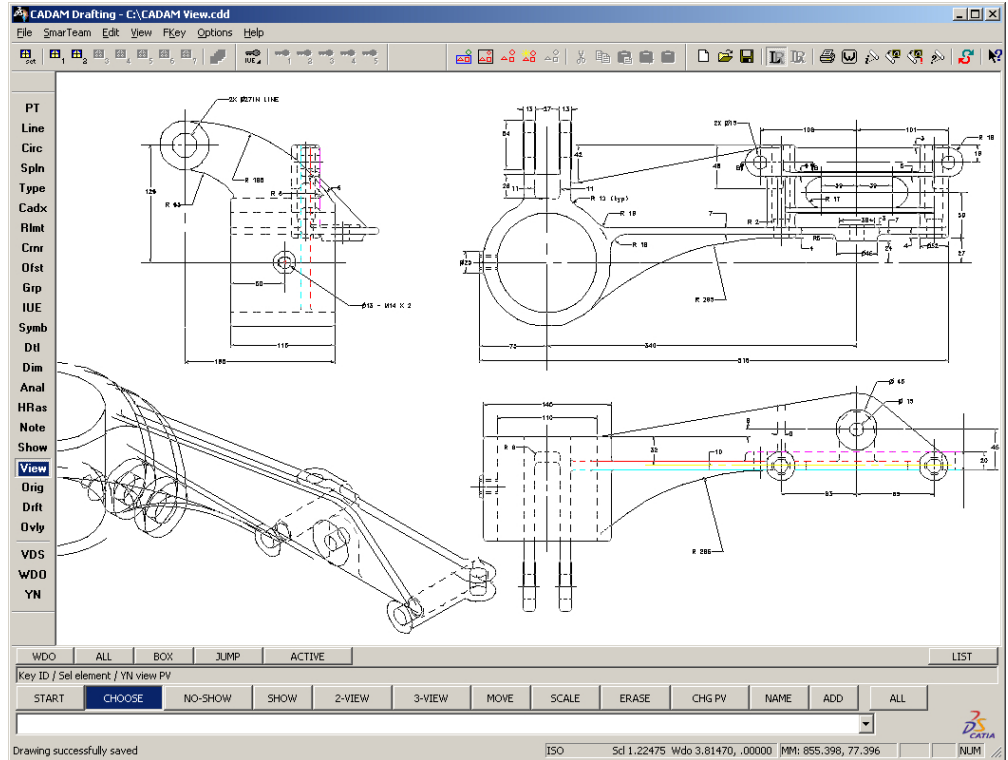
- ✓ Full CCD function
- ✓ Plot and Plot Current
- ✓ Vector and Raster
- ✓ Overplot (multiple drawings)
- ✓ Create temporary plot formats
- ✓ Windows Printer
- ✓ CGM output and others

### ★ Full Create and Edit Function

- ✓ Create and edit temporary elements including notes and annotation
- ✓ Collaboration tool
- ✓ Print temporary elements and notes

### ★ Low cost

### ★ Saves raster & plotter data, only



### Technical Requirements & Prerequisites

- CADAM View is available at the CADAM Store and through your authorized VAR
- To open CADAM mainframe drawings, must be networked to a mainframe with a CADAM drawing file with TCP/IP installed
- Hardware:
  - A workstation capable of running one of the supported Microsoft Operating Systems
  - 256MB of RAM (512MB recommended)
  - 200MB of free disk space for the CCD View Installation
  - A graphics card and color monitor capable of at least 1024 x 768 resolution
- Keyboard
- Microsoft Windows Operating System:
  - XP x86 (minimum SP2 installed)
  - XP x64 (minimum SP2 installed)
  - Vista x86 and x64
  - 7 x86 and x64
- Support of printers and plotters for Windows is performed through the vendor's drivers for targeted printer or plotter.

Would you like to increase your staffs' ability to view CADAM and CCD (CATIA CADAM Drafting) drawings? Would you like to set up a viewing station for your staff? Would you like your folks on the road to be able to view and print CCD drawings? If you do, CADAM View may be what you need.

CADAM View provides a low-cost way to view your CCD drawings. You can view drawings, print them, even modify them. Although you cannot save your modifications as a CCD drawing, you can save them as printed drawings or as print data. This means if your staff in the field has recommended changes, comments, or anything they want to express as part of a drawing, they can do so. CADAM View has the added function of being able to read, display, and plot DXF and DWG formats.

You can be assured that CADAM View will always be current and supported at the same level as CCD. Updates will be available in the same easy and friendly way at our website [www.cadam.com](http://www.cadam.com). Support will also be provided at our website including being able to call the CADAM Hotline.