



# CADAM Drafting for V5

## Highlights

- Proven CADAM productivity in the CATIA V5 portfolio
- Day-one productivity to support ongoing drawing production
- Fully supported growth path to CATIA V5
- SmarTeam interface for an integrated PDM solution
- Customer driven enhancements
- Create V5 drawings and 3D models from your legacy CAD drawings

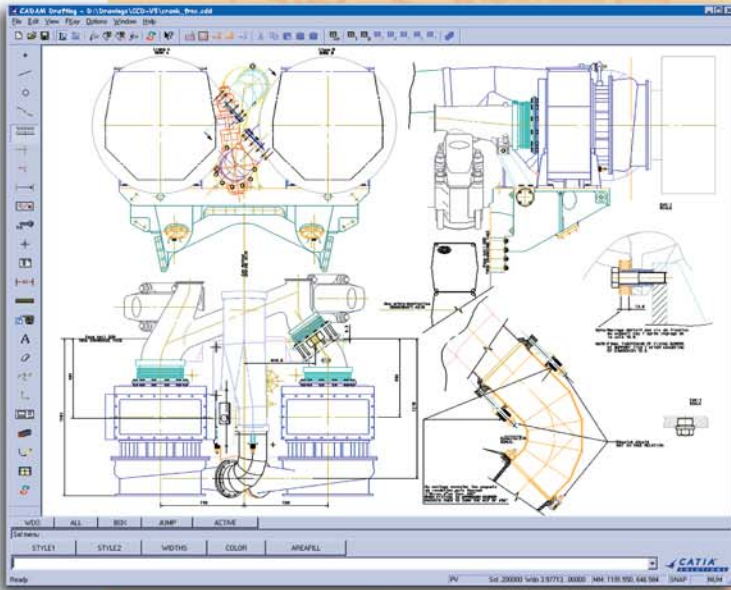


*Move forward to the next-generation power of CATIA V5*

*CADAM is still the productivity leader in industrial 2D design and drafting after more than 30 years. Tens of thousands of CADAM users and millions of CADAM drawings currently support the design of products ranging from automobiles and airplanes to biomedical devices and consumer goods. CADAM Drafting for V5 brings the power of CADAM into the CATIA V5 product portfolio.*

*CADAM Drafting for V5 provides today's CAD professionals with a protected path to the powerful capabilities of CATIA V5. CADAM Drafting for V5 protects investments in legacy drafting models, protects and grows users' skills, and supports critical projects without interruption of production.*

# The Protected Path from 2D CAD to CATIA V5



Industrial Strength Drafting

## HIGHLIGHTS

- Proven Productivity
- The MultiCADlingual™ Portal to CATIA V5
- Meet Current and Ongoing Production Drafting Commitments
- Support CADAM-based Suppliers and Legacy Programs in a Certified V5 Environment
- Develop and Grow V5 User Skills
- Turn Legacy Drawings into CATIA V5 Drawings and 3D Solids

increase  
**CATIA**  
productivity

protect  
legacy  
data

## The Path to CATIA V5

CADAM Drafting for V5 provides:

- The proven productivity of CADAM Drafting:  
Point and click creation of geometry and dimensions, 2-1/2D view intelligence, variational design, freehand sketching, SmarTeam interface, the industry's most copied 2D user interface, and much more.
- The multiCADlingual™ portal from today's CAD drawings to the CATIA V5 environment:  
Mainframe CADAM, PROFESSIONAL CADAM, V4 CATIA CADAM Drafting, CADRA, Pro/CDM, MC-X, MICRO CADAM, plus AutoCAD and all other DXF/DWG compatible drawings.
- The ability to meet current and ongoing production drafting commitments.  
The powerful and familiar CADAM user interface, and the support of IUE programs, provides all users of CADAM-like systems with day-one productivity.

- Support of CADAM-based suppliers and non-migrating legacy programs in a certified V5 compatible environment. CADAM Drafting for V5 is certified to operate within the V5 AIX, HP-UX, and Windows environments with regard to all prerequisites including compilers, OS, runtimes, maintenance levels, and patches.
- CADAM Drafting for V5 applies the look of V5 to the familiar CADAM interface. The V5 look, the CADAM feel, and user access to all V5 products within the configuration provides users with a natural migration to V5.
- The ability to create CATIA V5 drawings and 3D solids from legacy CAD and scanned paper drawings.

Imported drawings can be conditioned for efficient growth into V5 geometry. CADAM Drafting geometry and imported legacy drawings are directly transferred to CATIA V5 Interactive Drafting for development of 3D solids.

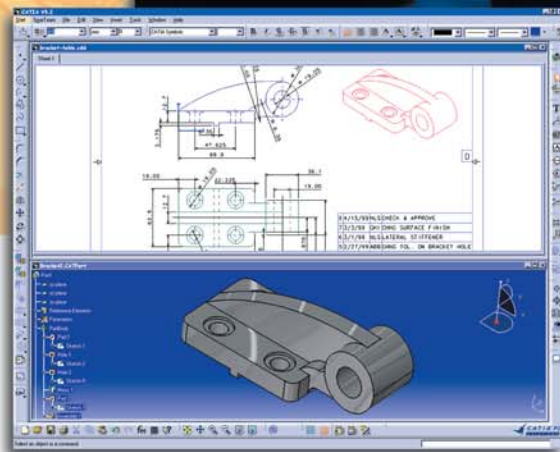
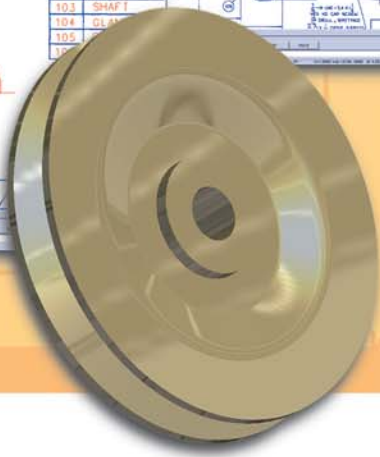
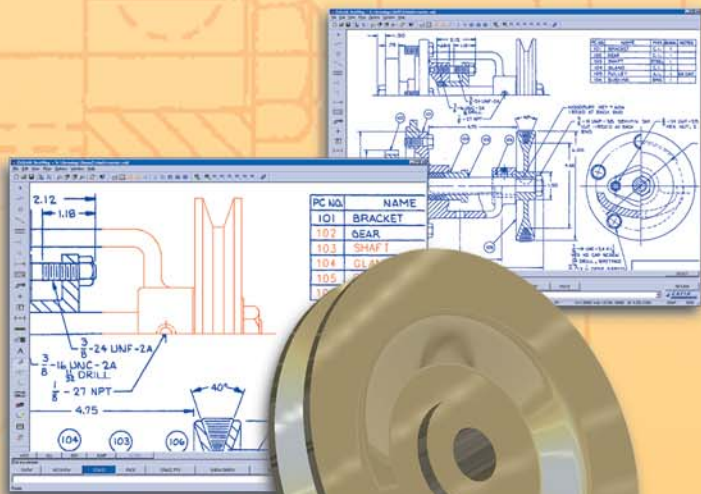
## A Protected Path for People

Moving forward to advanced products and methods requires more than a migration of technology, products, and data. A migration path must also be provided for the people who use the products.

CADAM Drafting for V5 provides the proven CADAM user interface blended with the CATIA V5 look, and user access to all V5 products within the configuration. Uninterrupted ability to continue to create drawings using familiar methods, and the easy access to V5's next generation methods provides operators with the confidence and the tools to develop CATIA V5 drafting and 3D modeling skills.

expand  
design  
methods

grow  
user  
skills



maximize  
migration  
benefits

### **From Paper Drawings to V5 Solids**

Scanned paper drawings transformed into V5 solids? Impossible? No! Use CADAM Drafting and CATIA-CADAM Hybrid Raster to manage, modify, and create V5 drawings and solids from your paper drawing legacy.

CADAM Drafting works, in concert, with CATIA-CADAM Hybrid Raster to input scanned raster images and convert them, as required, into precise CADAM vector data. The result... true CADAM Drafting drawings, suitable for management within CADAM Drafting, or easily transferred into CATIA V5 Interactive Drafting and upgraded into V5 3D solids.

### **Proven CADAM Productivity**

CADAM is the drafting productivity engine for thousands of companies. From sketching, to traditional drafting techniques, to the productive speed of point-and-click dimensioning, CADAM has created millions of intelligent and complex drawings to the demanding standards of today's industries.

CADAM Drafting for V5 is a 2-1/2D system that allows creation of 2D geometry in the context of 3D based views. CADAM Drafting's 2-1/2D geometry is easily transferred to other CATIA V5 applications for the creation of Interactive Drafting drawings and CATIA V5 3D solids.

Through the power of variational and parametric design, and associative dimensioning, geometric relationships and knowledge-based rules become a part of the design intelligence. CADAM intelligence can be created during the drafting process or, through post-design-parametrics, added to imported drawings.

CADAM Drafting provides the data structures required to support industrial drafting. Drawing data is organized through the use of layers, overlays, views, symbol and detail libraries with multiple instancing of geometry, and a math constraint language.

No other drafting product has created as many industrial strength drawings over so many years!

No other drafting product provides the protected path to the next-generation power of CATIA V5!

maintain  
drafting  
production

Get  
on the  
**Protected Path**  
**TODAY!**

## CADAM Drafting for V5 and the CATIA Product Portfolio

### CATIA V4

CADAM Drafting for V5 is the successor product to, and is complementary with, Version 4 CATIA-CADAM Drafting, and it shares the identical data format with Version 4. CADAM Drafting files are easily exchanged with other CATIA V4 products. CADAM Drafting for V5 supports the Version 4 CATIA-CADAM Hybrid Raster product and fully supports IUE programs created by V4.

### CATIA V5

CADAM Drafting for V5 is a CATIA V5 add-on product. It can be added to any CATIA V5 configuration and creates drawings that are easily exchanged with other CATIA V5 products.

CADAM Drafting for V5 can fully serve your transition needs: to provide CADAM users and other drafting professionals with a protected path to the full power of CATIA V5.

Your Productivity Choice Today is the Productive Choice for Tomorrow

Get on the Protected Path today and enjoy all the advantages of the extreme power and flexibility of CADAM Drafting for V5.

Make the right decision now and reap the significant benefits of being on the Dassault Systemes team of satisfied and protected customers!

## Technical Requirements & Prerequisites

### APIs Provided

The IUE application programming interface is delivered with CADAM Drafting for V5. Existing V4 programs are supported and new IUE programs can be created for use by CADAM Drafting.

### Hardware and Software Requirements

CADAM Drafting for V5 is an add-on product to CATIA V5 configurations, and complies with CATIA Version 5 Hardware and Software Requirements, with the following exceptions:

#### Hardware Requirements

- Only, IBM (AIX), HP (HP-UX) and Intel Pentium II or greater based platforms are supported.
- Space Ball and Space Mouse are not supported.

#### Software Requirements

- CADAM Drafting must be used in configurations which include the Interactive Drafting (DR1) product.
- Windows NT, Windows 98, and Windows 2000 are supported.

#### Printing Requirements

Printing and plotting support requires graPHIGS on AIX platforms and FIGARO on HP-UX platforms.



Tel: +1 818 999-2500  
Fax: +1 818 999-3535

For more information about CADAM Drafting for V5 and CATIA-CADAM solutions, contact your IBM marketing representative or business partner. In the U.S. call toll-free at 1 (800) 395-3339.

You can also access a wealth of information about our products on the Web:

[www.catia.ibm.com](http://www.catia.ibm.com)  
[www.3ds.com](http://www.3ds.com)  
[www.cadam.com](http://www.cadam.com)

CATIA® and CADAM® are developed by Dassault Systèmes, and marketed worldwide by IBM and a network of business and development partners.  
CATIA® is a registered trademark of Dassault Systèmes S.A.  
CADAM® is a registered trademark of Dassault Systemes of America Corp.

©Copyright 2002 Dassault Systemes of America Corp.  
All Rights Reserved.



Get  
on the  
**Protected Path**  
**TODAY!**